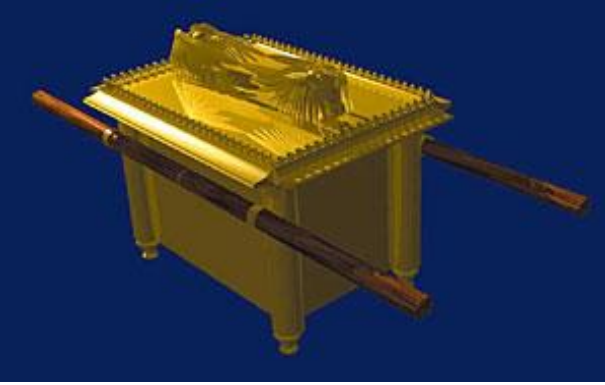


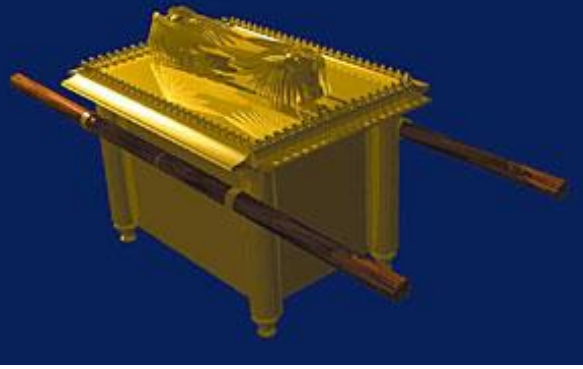
David and the Ark of the Covenant



The Ark,

Ark of God, Ark of the Covenant,
Ark of Testimony, Throne of God

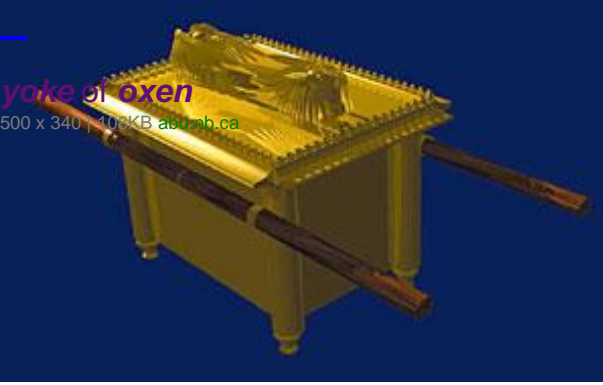
- **Description:** Made of acacia or shittim wood, 1 ½ cubit wide & high, 2 cubits long, covered w/ pure gold, two gold rings on each side, two gold covered poles to carry it, 2 cherubim on top w/outspread wings & faces toward each other
- **Contents:** 2 tables of stone or the covenant between God & the people (10 commandments), Pot of Manna, Aarons rod that budded



David and the Ark

Setting the Stage

- **1 Samuel 4:3-11**, Ark captured by Philistines
- **1 Samuel 5:7-8**, Returned after strange events
- **1st Samuel 31:1-13**, Saul & Jonathan die in battle
- **2nd Samuel 2:4**, David anointed king over Judah
- **2:10**, Ish-bosheth, Saul's son, made king of Israel
- **3:1**, Long war wages between Israel & Judah
- **5:1-3**, David anointed king over all of Israel
- **5:10**, David grows great and God is with him
- **5:17-25**, David defeats the Philistines

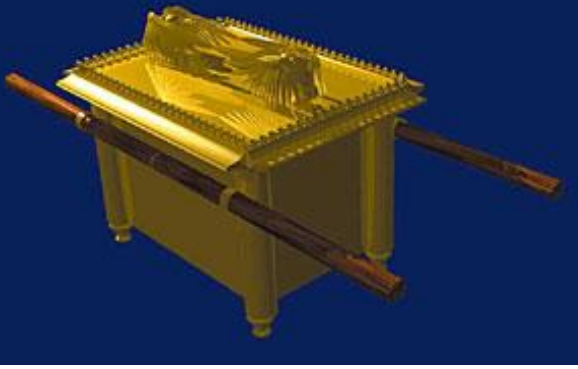


David Decides to Move the Ark

- **2nd Samuel 6:1-11**
- **1st Chronicles 13:1-13**
– Failure
- **2nd Samuel 6:12-15**
- **1 Chronicles 15:1-3, 12-15, 25-28**
– Success



WHY?

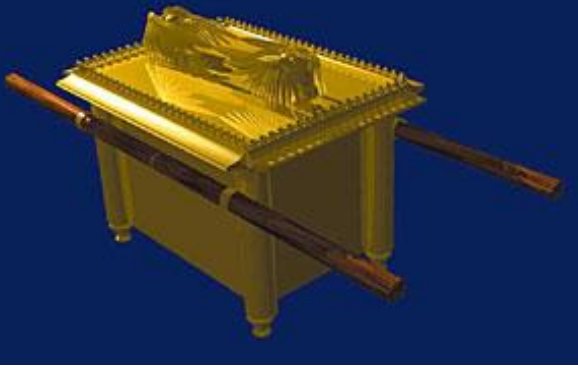


David and the Ark

Lessons Learned

1. Know & obey all of God's Will

- **Exodus 25:14**, “...*thou shalt put the staves into the rings by the sides of the ark, that the ark may be borne with them.*”
- **Numbers 1:50-51**, “...*thou shalt appoint the Levites over the tabernacle of testimony, and ... over all things that belong to it: they shall bear the tabernacle, and all the vessels thereof*”
- **2nd Timothy 2:15**, “*Study to show thyself approved unto God, a workman that needeth not to be ashamed, rightly dividing the word of truth.*”

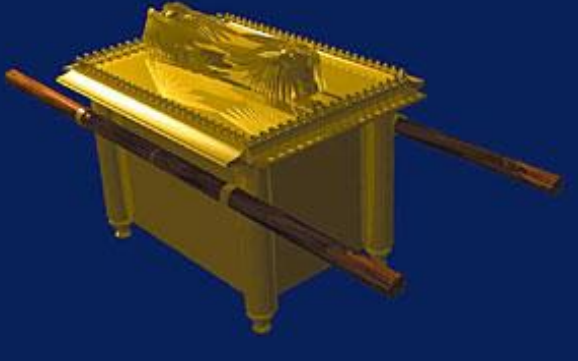


David and the Ark

Lessons Learned

2. Consult the Lord, Prepare, **1 Chron. 15:1-3**

- **1st Chronicles 15:13**, *“...we sought him not...”*
- Pray for wisdom, **James 1:5-6**, *If any of you lack wisdom, let him ask of God, that giveth to all men liberally, and upbraideth not; and it shall be given him. But let him ask in faith, nothing wavering.”*
- Pray God’s will be done, **1st John 5:14**, *“...this is the confidence that we have in him, that, if we ask any thing according to his will, he heareth us...”*



David and the Ark

Lessons Learned

3. Great joy comes from serving God, not self

- **1st Chronicles 15:25-28**
- **1st Chronicles 16:7-36, David's Song**
- **2nd Samuel 6:1-7, Rejoiced for wrong reasons**
 - Source of joy the 1st time? SELF
 - Source of joy the 2nd time? GOD